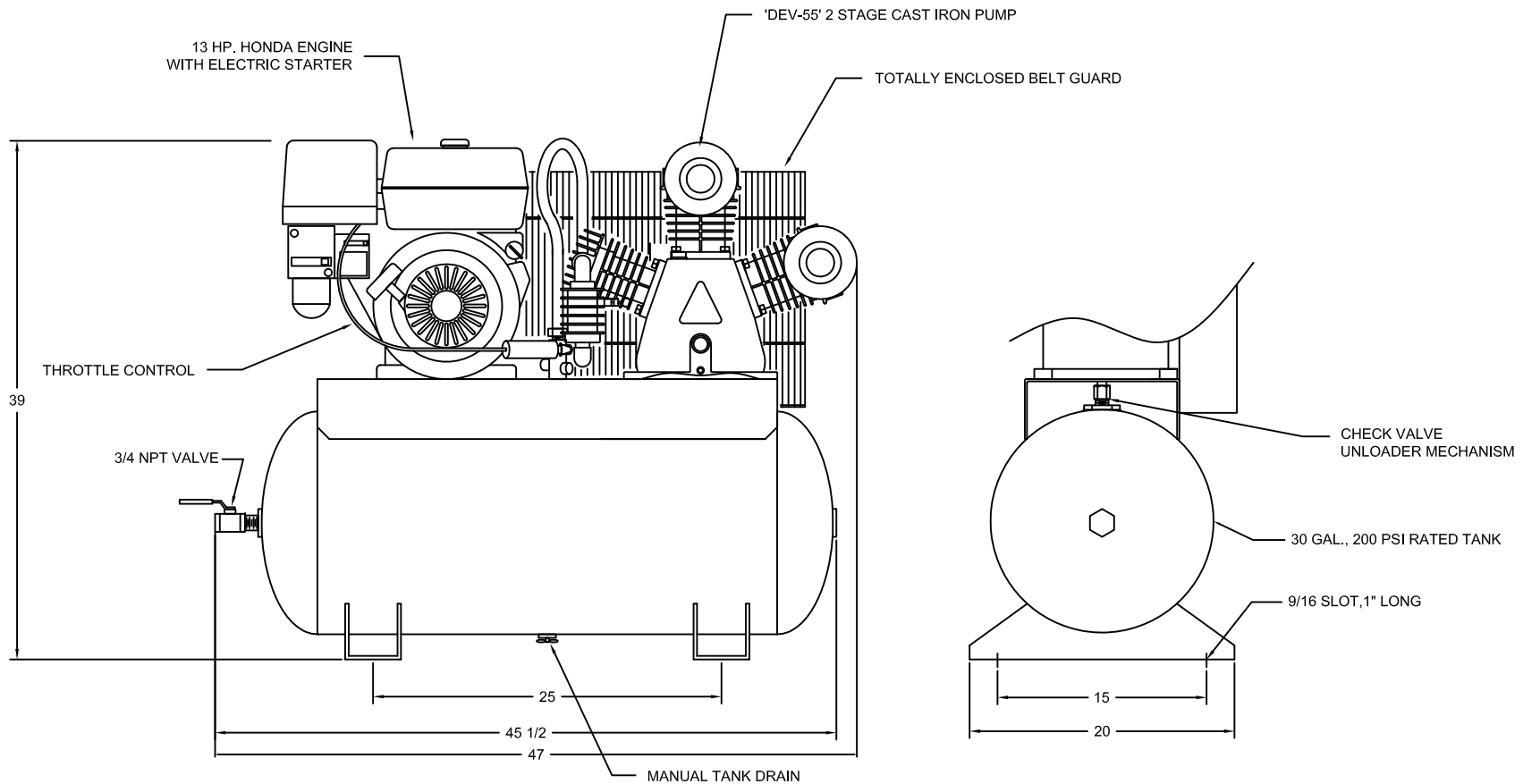


REV.	DATE	REVISION DESCRIPTION	PCN NO.
	8/18/10	NEW	10-44
A	2/08/11	DWG. SPEC. UPDATE	--
B	3/07/11	DWG. SPEC. UPDATE	--



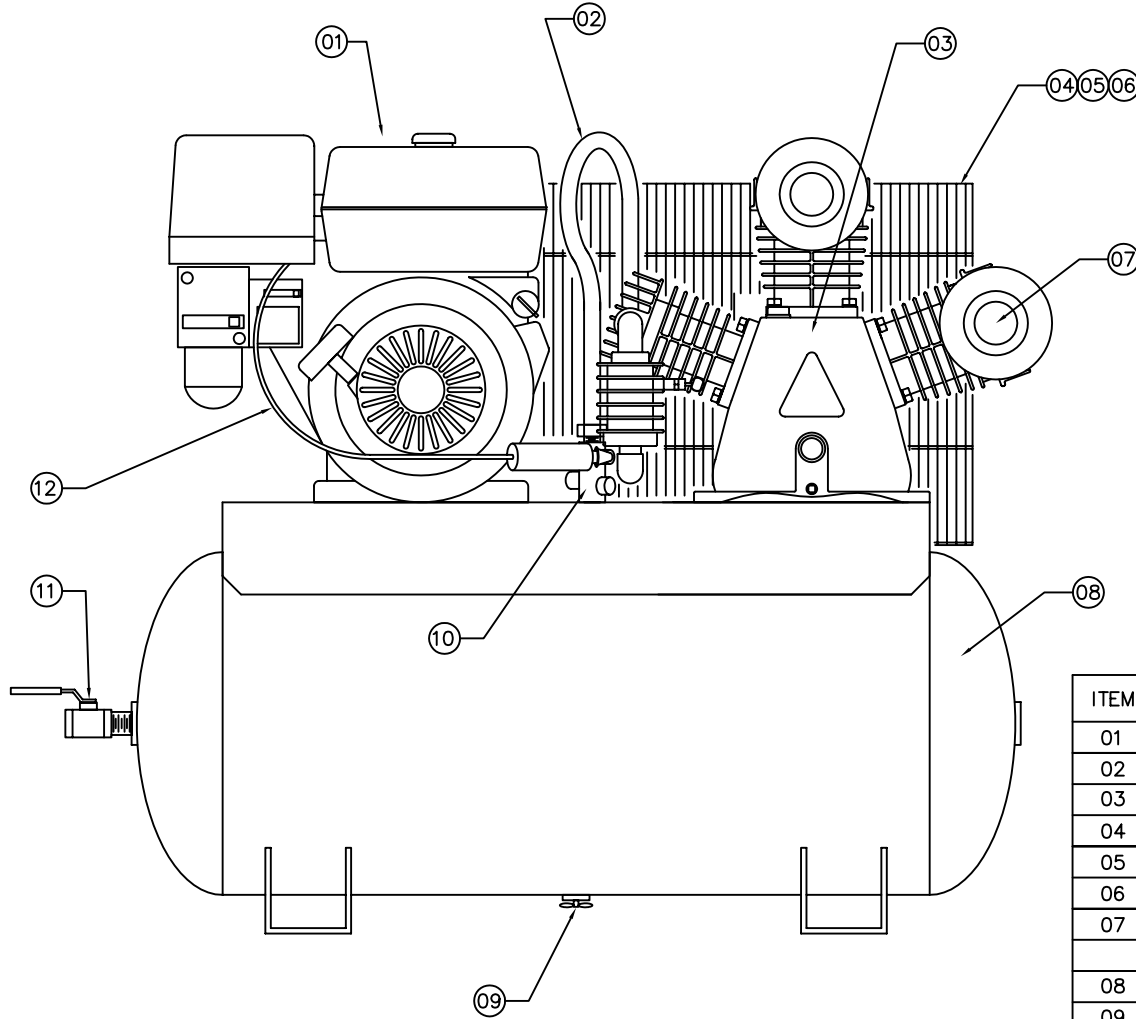
COMPRESSOR OUTFIT DATA				PRESSURE SETTING		RECEIVER CAPACITY		COMPRESSOR PUMP DATA				WEIGHT	
MODEL	HP	DISPL. SCFM	DEL'Y SCFM	PSIG	KPA	GAL.	LITRS	TYPE	CYLD.	STAGE	RPM	LB.	KG.
IS13-5530	13	24	21	150	1035	30	113	DEV-55	3	2	1100	450	204

IMPORTANT NOTE: This print is the confidential property of DV SYSTEMS, INC. It is not to be used or reproduced in any manner, nor submitted to other parties for examination without the prior approval of DV SYSTEMS, INC. DV SYSTEMS, INC. is continually trying to improve its products, specifications subject to change without notice.



NAME OF PROJECT				DESCRIPTION OF DRAWING			
13 HP, 30 GALLON, 150 PSI				GAS DRIVEN AIR COMPRESSOR			
DRAWN BY		CHECKED BY		DATE		SCALE	
LT				8/18/10		N.T.S.	
DRAWING NO.				SHT NO		REV	
IS13-5530						B	

REV.	DATE	REVISION DESCRIPTION	PCN NO.
	8/18/10	NEW	10-44



ITEM	PART NUMBER	QTY	DESCRIPTION
01	VAGE-9402	1	HONDA ENGINE - 13 HP
02	CT-9751	1	AFTERCOOLER TUBE
03	DEV-55	1	PUMP ASSEMBLY
04	EG-9490	1	BELT GUARD ASSEMBLY
05	PU-9262	1	MOTOR PULLEY (5.25 OD, 1" BORE, 2A)
06	BT-99	2	DRIVE BELT (A68)
07	PB-21175003	2	INTAKE FILTER ASSEMBLY
	PB-21177010	2	INTAKE FILTER ELEMENT
08	TA-9500	1	TANK - 30 GALLON HORIZ.
09	SS-2707	1	DRAIN VALVE
10	UNL-9707	1	CHECK VALVE/UNLOADER
11	VA-9705	1	BALL VALVE
12	UNL-9708	1	THROTTLE CONTROL ASSY

IMPORTANT NOTE: This print is the confidential property of DV SYSTEMS, INC. It is not to be used or reproduced in any manner, nor submitted to other parties for examination without the prior approval of DV SYSTEMS, INC. DV SYSTEMS, INC. is continually trying to improve its products, specifications subject to change without notice.



NAME OF PROJECT				DESCRIPTION OF DRAWING		
13 HP INDUSTRIAL STANDARD UNIT C/W 'DEV-55' PUMP				GAS DRIVEN AIR COMPRESSOR		
DRAWN BY		CHECKED BY	DATE	SCALE	DRAWING NO.	SHT NO/REV
LT			8/18/10	N.T.S.	IS13-5530	