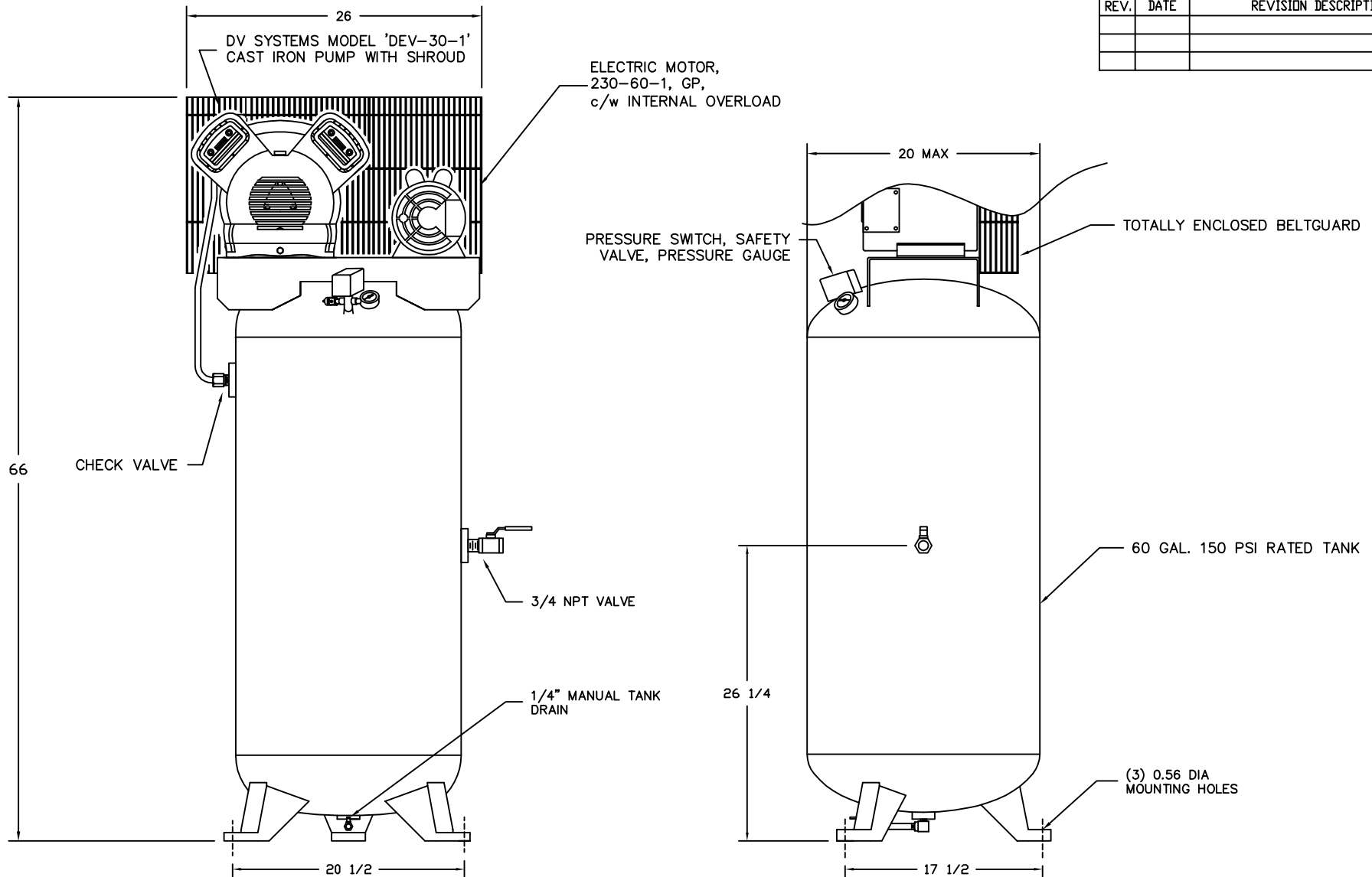


REV.	DATE	REVISION DESCRIPTION	PCN NO.



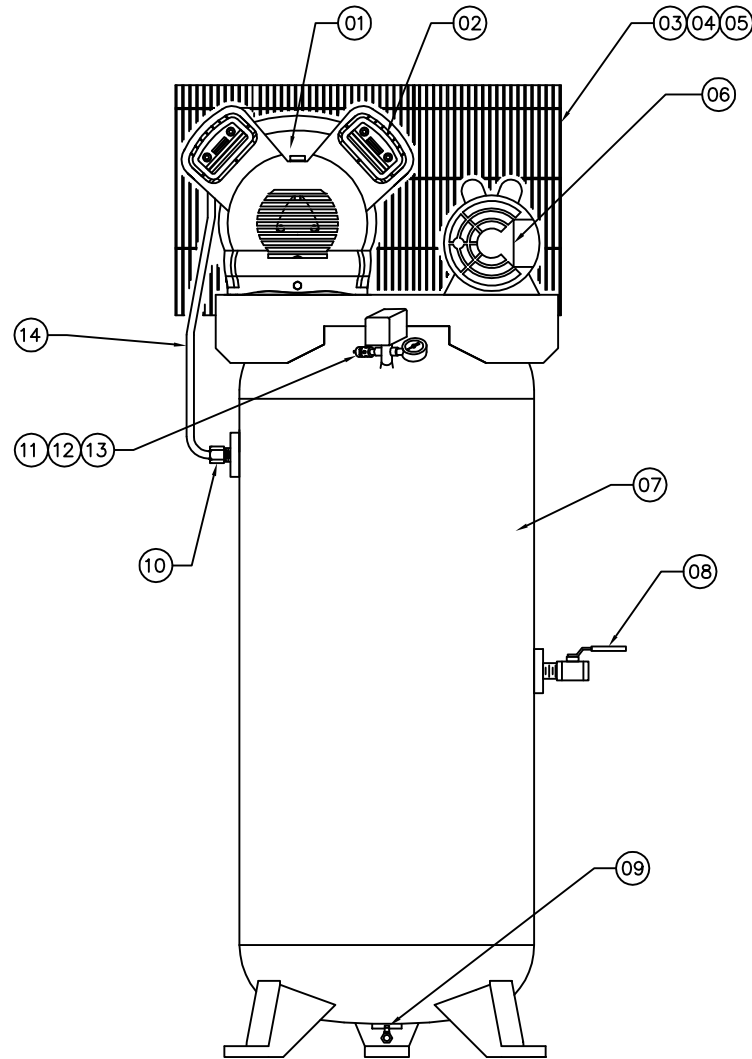
COMPRESSOR OUTFIT DATA			PRESSURE SETTING		RECEIVER CAPACITY		COMPRESSOR PUMP DATA				WEIGHT		ELECTRICAL	
MODEL	HP	DISPL SCFM	PSIG	KPA	GAL.	LITRS	TYPE	CYLD.	STAGE	RPM	LB.	KG.	VOLTAGE	230/1
IS3-3060	3	12.5	135	931	60	226	DEV-30-1	2	1	1160	325	148	FULL LOAD AMP	14.7

IMPORTANT NOTE: This print is the confidential property of DV SYSTEMS, INC. It is not to be used or reproduced in any manner, nor submitted to other parties for examination without the prior approval of DV SYSTEMS, INC. DV SYSTEMS, INC. is continually trying to improve its products, specifications subject to change without notice.



NAME OF PROJECT				DESCRIPTION OF DRAWING			
3 HP STANDARD DUTY INDUSTRIAL C/W DEV-30-1 SERIES PUMP				COMPRESSOR OUTFIT			
DRAWN BY		CHECKED BY		DATE		SCALE	
LT				2/04/13		N.T.S.	
DRAWING NO.				SHT NO/REV			
IS3-3060							

REV.	DATE	REVISION DESCRIPTION	PCN NO.



ITEM	PART NUMBER	QTY	DESCRIPTION
01	DEV-30-1	1	PUMP ASSEMBLY
02	PB-21175002	2	INTAKE FILTER ASSEMBLY
	PB-21177012	2	INTAKE FILTER ELEMENT
03	EG-9489	1	BELT GUARD ASSEMBLY
04	PU-9267	1	MOTOR PULLEY (85MM OD, $\frac{3}{8}$ BORE, 1A)
05	BT-9047	1	DRIVE BELT
06	MO-6325	1	MOTOR 230-60-1
07	TA-9503	1	TANK - 60 GALLON VERT.
08	VA-9705	1	BALL VALVE
09	VA-9411	1	DRAIN VALVE
10	CCV-9401	1	CHECK VALVE
11	SSS-9004-U110135	1	PRESSURE SWITCH
12	GA-250	1	PRESSURE GAUGE
13	TIA-5150	1	SAFETY VALVE 150 PSI
14	CT-9754	1	AFTERCOOLER TUBE

IMPORTANT NOTE: This print is the confidential property of DV SYSTEMS, INC. It is not to be used or reproduced in any manner, nor submitted to other parties for examination without the prior approval of DV SYSTEMS, INC. DV SYSTEMS, INC. is continually trying to improve its products, specifications subject to change without notice.



NAME OF PROJECT				DESCRIPTION OF DRAWING	
3 HP INDUSTRIAL STANDARD UNIT C/W 'DEV-30-1' PUMP				COMPRESSOR OUTFIT	
DRAWN BY		CHECKED BY	DATE	SCALE	DRAWING NO. / SHT NO / REV
LT			3/05/13	N.T.S.	IS3-3060